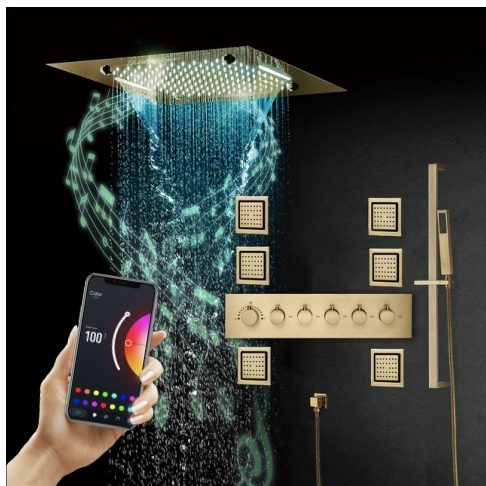


THERMOSTATIC PHONE CONTROLLED MUSICAL RECESSED CEILING MOUNT RAINFALL MIST WATERFALL SHOWER SYSTEM WITH JETTED BODY SPRAYS AND HAND SHOWER SPECIFICATIONS

Shower Head

Shower Head 3 Functions: Waterfall, Rainfall & Mist
 Shower head size: 20 x 20 inch
 Each function run all together and separately
 Music and LED light work by electronic
 All Metal Material: Solid Brass; Stainless Steel (top showerhead, hose)
 Shower Head Mounting: Flush on ceiling
 Hand Spray Hose: 59 inch
 Water flow: 2.5 GPM ~ 5.5 GPM
 Water pressure: 0.3 MPA ~ 1 MPA
 Water pipe lines: 3/4 inch water pipes for the hot and cold water mixer inlet, the others are 1/2 inch

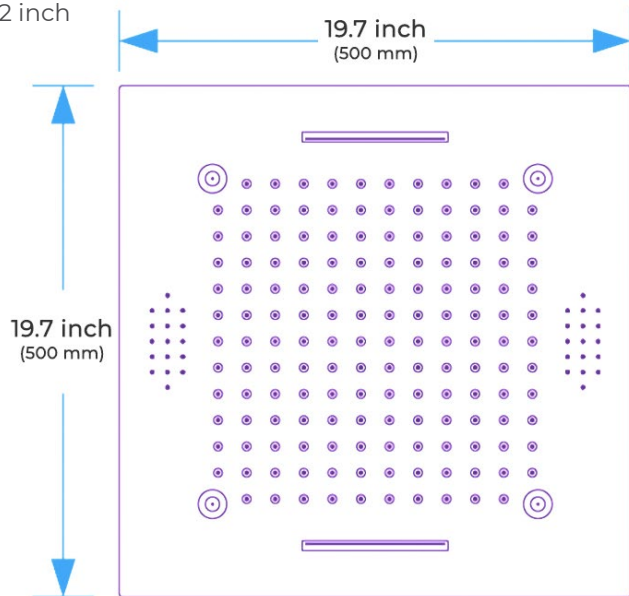


Kinds of color **64**
 temperature adjustable

WiFi

Build-in WIFI
 Phone control color

Color software App : LED Home



304 Stainless Steel

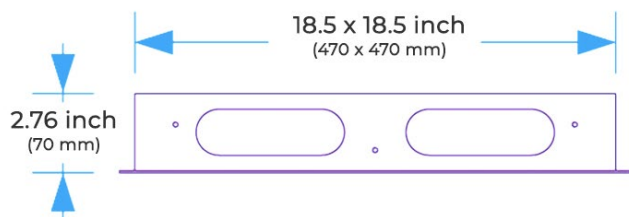
Speaker×2 [500×500mm]

Mist×4

Waterfall×2

Rainfall

Water Pressure: 0.3-0.5MPA
 Shower Flow Rate: 9-25L/min

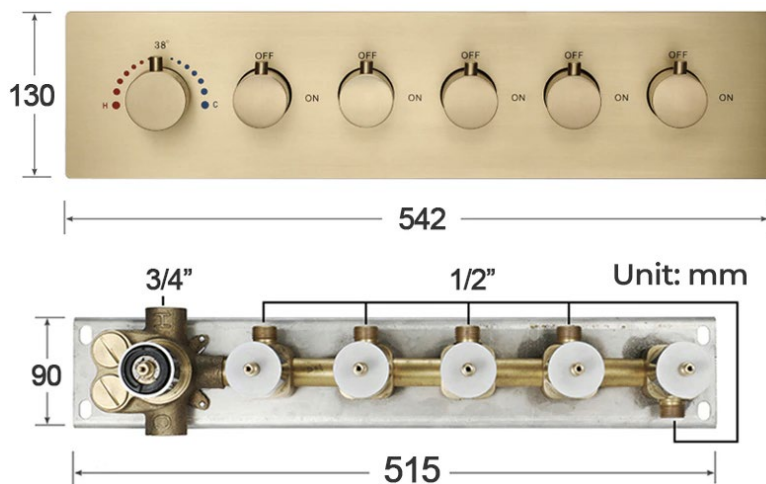


Product shown is only for installation display purpose



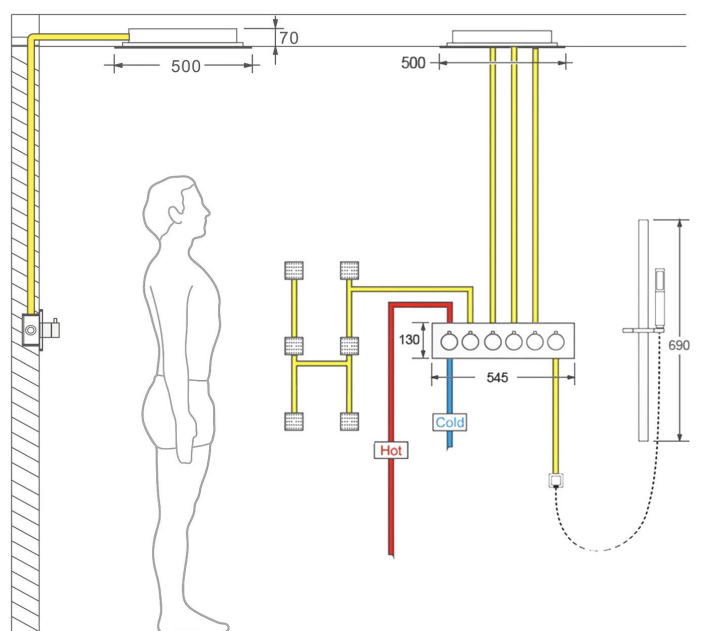
All dimensions and specifications are nominal and may vary. Use actual products for accuracy in critical situations.

Shower Mixer



Product shown is only for installation display purpose

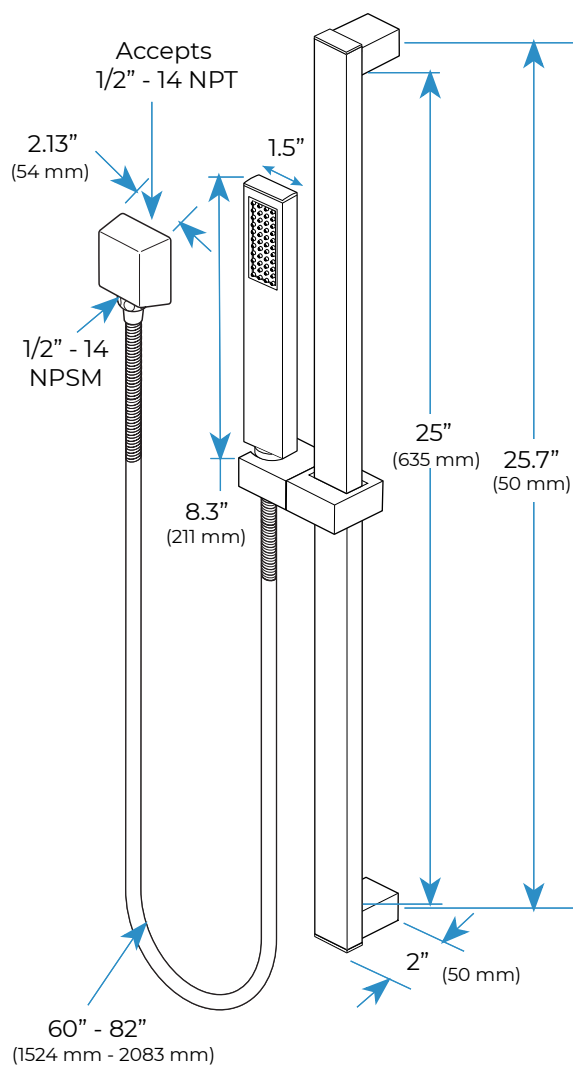
Shower Mixer Connections



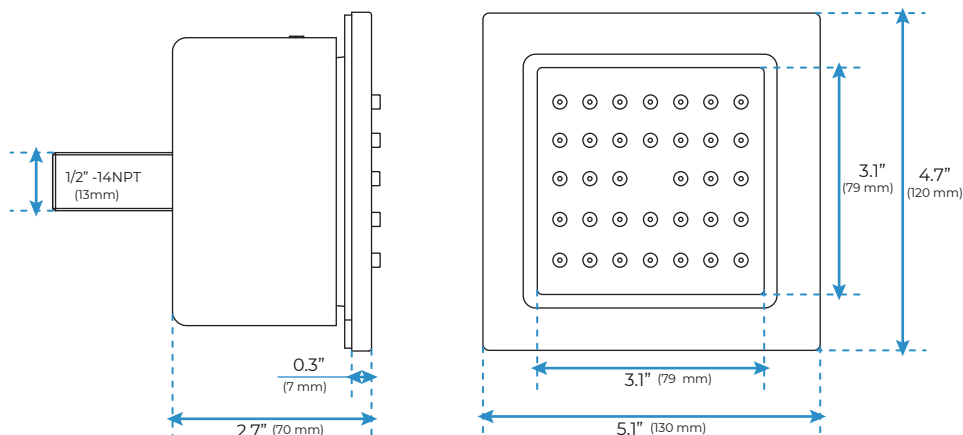
Unit: mm

Cold water Hot water Mixer water

Hand Shower



Body Jet



FEATURES

- Material: Brass
- Base Plate Height: 5-1/8"
- Base Plate Width: 5-1/8"
- Jet Surface Area: 3-1/8"
- Surface Depth: 1/4"
- Adjustment Angle: 5°
- Male NPT Connection: 1/2"
- Maximum Flow Rate: 2.5 GPM (9.5L/min) max @ 80 psi